

Overhead frames

ANOTHER AMAZING PRODUCT
BY APM SYSTEMS



Our Butterfly Frames are made of aluminum,
light weight, durable and easy to assemble.

AVAILABLE IN MANY SIZES AND IN LIGHT OR HEAVY WALLS.

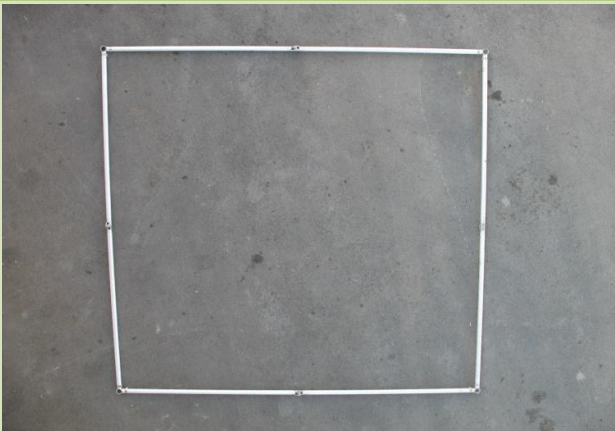
8'x8' - 10'x10' - 12'x12' - 12'x20' - 20'x20'



APM
SYSTEM

www.apmsystem.ca

Butterfly Frames



Sizes:

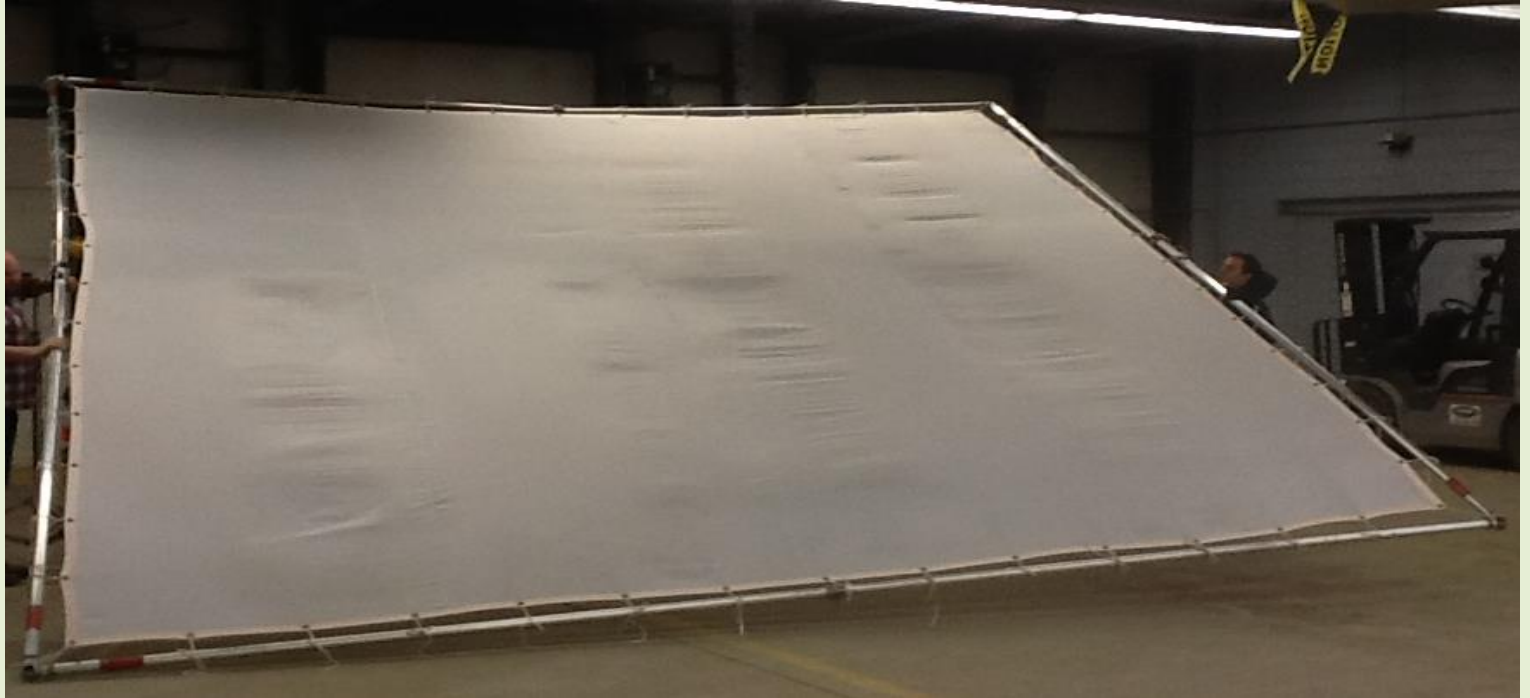
- 8' x 8'
- 10' x 10'
- 12' x 12'
- 20' x 20'
- and custom orders

Available in Light or Heavy Walls

Butterfly Parts



Butterfly Frame in Use



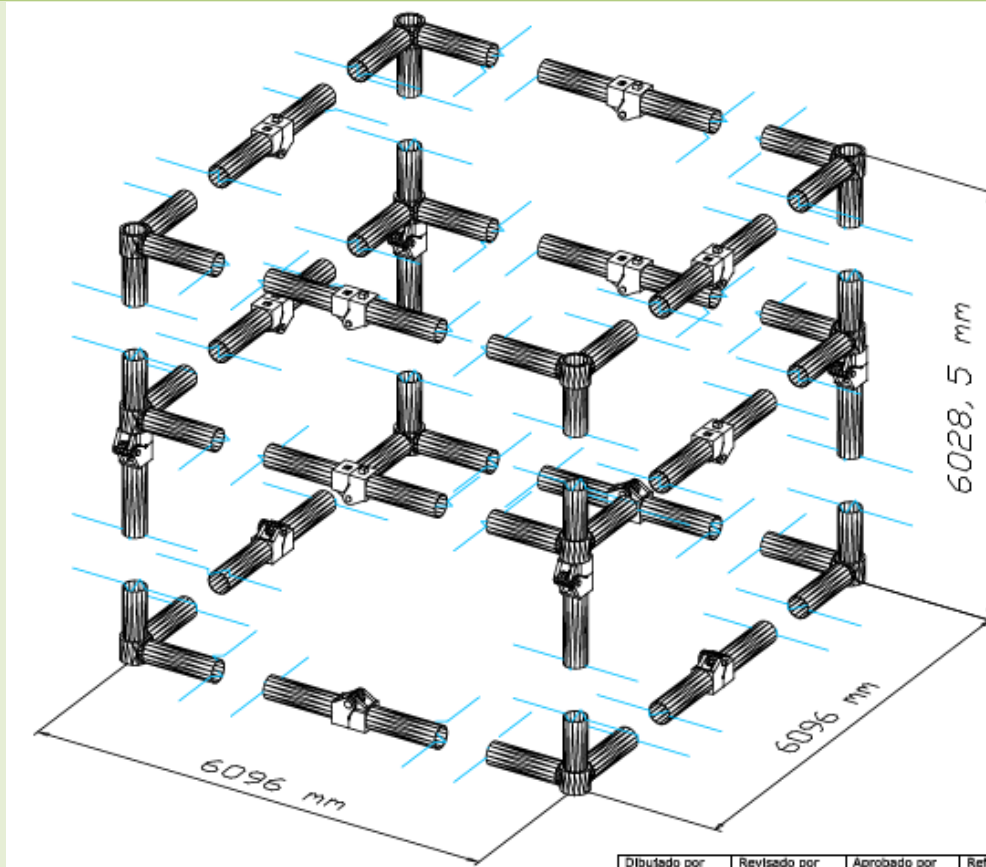


Butterfly Frame bags



Store your butterfly frames in a safe place!

Shadow Box

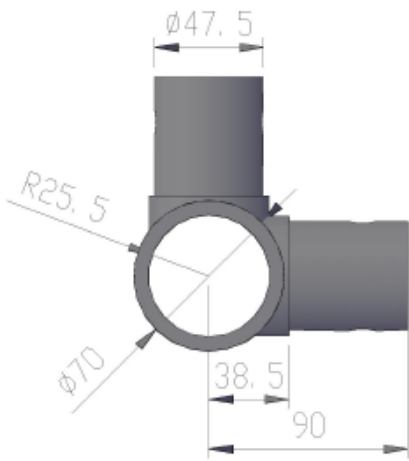


Shadow Box in use

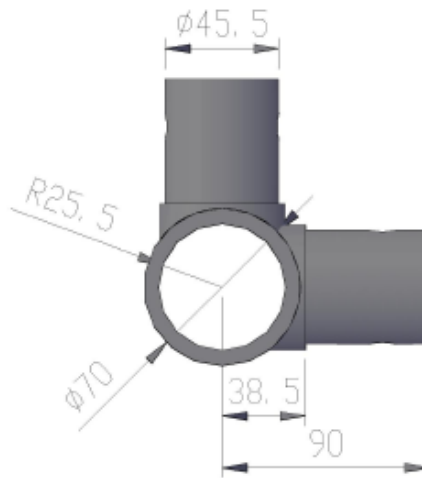


Shadow Box Parts

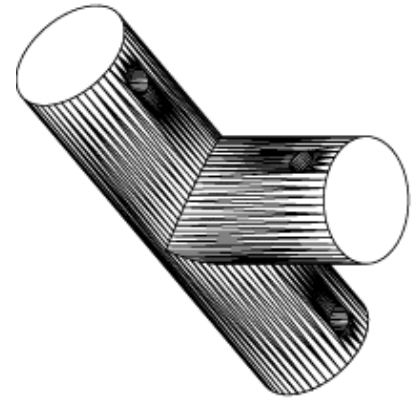
Part No: 600 – Coupler 1.5



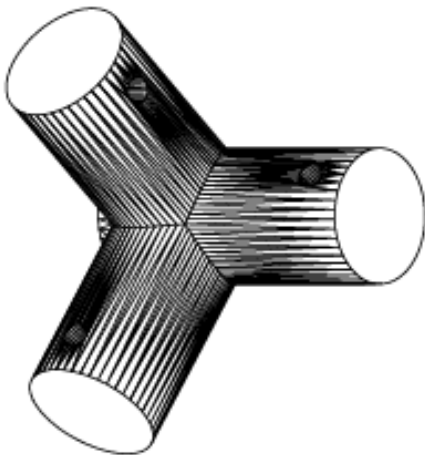
Part No: 6001 – Coupler 2.5



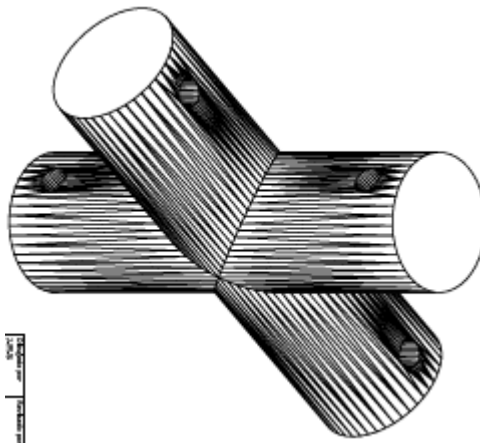
Part No: 6002 -1.5 Coplanar Triple Union



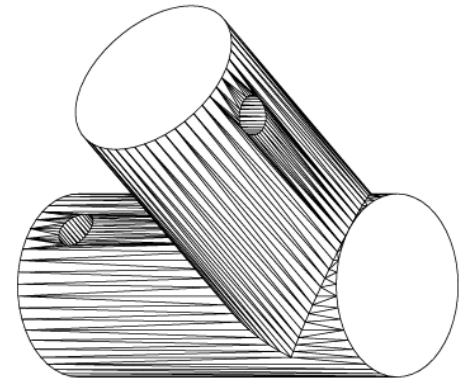
Part No: 6003 – 1.5 Orthogonal Triple Union



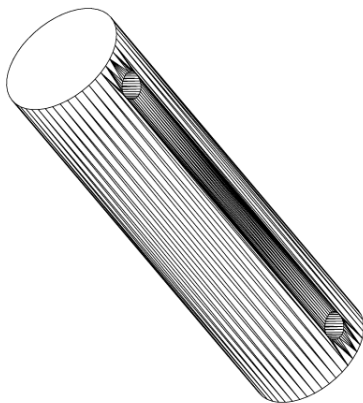
Part No: 6004 Coplanar Four Union



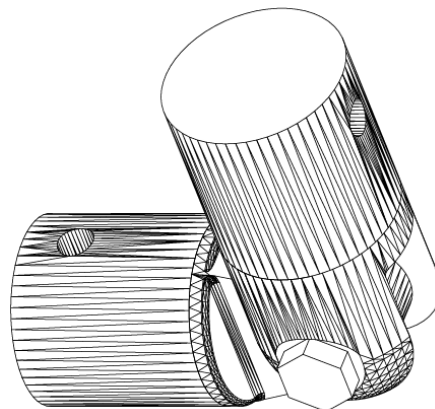
Part No: 6005 - 90 Degree Union



Part No: 6006 - 180 Degree Union



Part No: 6007 – 1.5 Swivel Union



Part No: 6008 – 1.5 Orthogonal Four Union

